

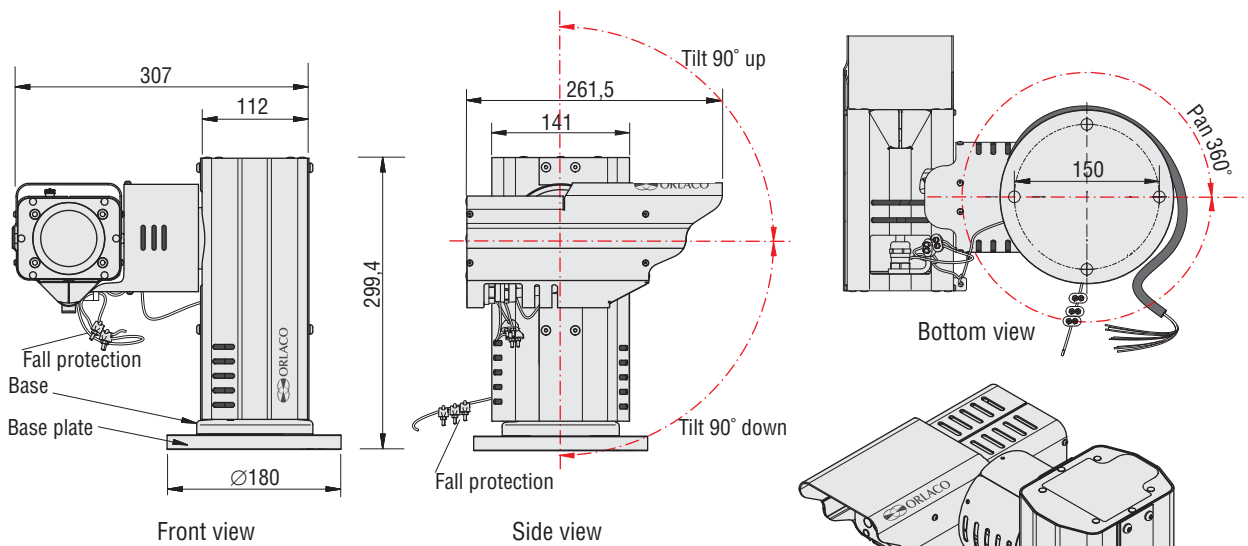
Vision is  
our mission®

Camera PTZ PAL SSt  
Article no. 0506912  
Camera PTZ PAL SSt RS485  
Article no. 0516912  
2020 • DS0961342 EN A 03

# Product Data



## Dimensions



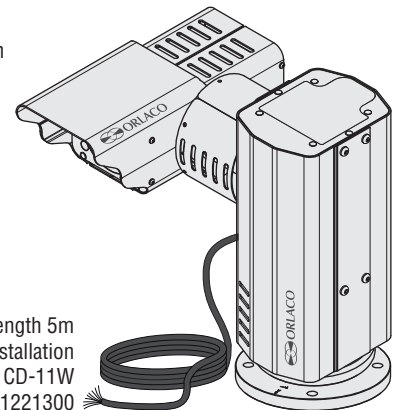
Front view

Side view

Bottom view

Units in mm

Cable length 5m  
3,5m available for installation  
Cable Base 9B-1CD-11W  
Art. no. 1221300



# TECHNICAL DATA

## Camera PTZ SSi Camera PTZ SSi RS485

<b>Article numbers</b>	<b>Description</b> <b>0506912 Camera PTZ SSi RS232</b>	<b>0516912 Camera PTZ SSi RS485</b>
------------------------	---	-------------------------------------

### General

Pan Tilt unit including zoom camera. The PTZ unit functions via two industrial stepping motors. These stepping motors are controlled by the integrated micro-controller and input commands RS232 or RS485 Visca-, Pelco-D protocol.

### Zoom camera

<b>Image sensor</b>	1/3" CMOS sensor.
<b>Hor. Resolution</b>	>700 TV lines (PAL/NTSC).
<b>Lens</b>	30x optical, 32x digital zoom. f = 5.1 mm to 51 mm, F1.6 (WIDE) to F1.8 (TELE). High zoom ratio up to 53x when used in PAL/NTSC mode (1.9x digital zoom will not influence image quality. Sensor itself is ± 4x the number of pixels needed to create PAL/NTSC output).
<b>Angle of view (H)</b>	58.9° (wide) 2,11° (tele).
<b>Minimum illumination</b>	0.5 lux (1/30sec).
<b>0-Lux mode</b>	0.025 lux (1/7.5sec).

### Pan & Tilt

<b>Pan angle</b>	Total 360°, 180° left, 180° right.
<b>Tilt angle</b>	Total 180°, 90° up, 90° down from horizontal.
<b>Backlash PTZ</b>	1°.
<b>Pan &amp; Tilt speed</b>	12,5°/sec.
<b>Presets</b>	128 presets Visca and 255 presets Pelco-D.
<b>Controls</b>	The PTZ camera can be controlled by means of the Monitor 7" RLED Serial; article no. 0208232 or the Monitor 12" Serial article No. 0207910.

### General

<b>Housing</b>	Stainless steel 316.
<b>Weight</b>	15 kg, including 5m. cable.
<b>Cable</b>	Length 5m, 3,5m available for installation, Cable Base 9B-1CD-11W, Art. no. 1221300.
<b>Ingress protection</b>	IP68 according to IEC 60529, Dust tight and protected against the effects of immersion in water up to 10m for 30 minutes and IP69K according to DIN 40050-9, camera can withstand a high pressure cleaning with water: 14-16L/min 80°C and 100 Bars flow., 1,4 Bar overpressure filled with dry nitrogen, long term stability 0,1%/year.
<b>Operating temperature</b>	-40°C to +85°C. Puls width modulated thermostatically heating integrated.
<b>Power input</b>	18...30V/DC or alternatively 100...240V/AC via SmartBoard.
<b>Power consumption</b>	Pan & Tilt; 24V. Heating on; 12W, heating off; 8,4W (Automatic heating).
<b>Communication</b>	Communication via serial interface, Visca- Pelco-D protocol (RS232 or RS485) 9,6 Kbps, 8 bit, 1 stop bit, no parity.
<b>Included</b>	Steel cable fall protection.
<b>Installation</b>	See installation manual IM0973143.

### Certification

<b>Green Passport</b>	All materials are compliant to Green Passport requirements according IMO resolution MEPC.197(62) as adopted on 15 July 2011 (Maritime sector:International Maritime Organization concerning the functions of the Marine Environment Protection Committee).
-----------------------	--

### Electrical connections

#### Cable Base, Art no 1221300

	RS232	RS485		
1 = Coax core	Video	Video		
2 = Coax shielding	Video GND	Video GND		
3 = Red	Camera power	Camera power		
4 = Black	Camera 0V	Camera 0V		
5 = Red/White	Pan/Tilt power	Pan/Tilt power	1 = Red/blue	N.C.
6 = Black/White	Pan/Tilt 0V	Pan/Tilt 0V	2 = Black/blue	N.C.
7 = Green	Serial 1 RS-232 TX	B (inv)	3 = Blue	N.C.
8 = Grey	Serial 2 RS-232 RX	A (non-inv)	4 = Brown	N.C.
9 = Black/Gray	Serial 0V		5 = Shielding	N.C.

Cut off at wire entry  
(In Junction box)

All data subject to change without notice. All dimensions are for commercial purpose only.  
The camera/display systems from Orlaco comply with the latest CE, ADR, EMC and mirror-directive regulations, where applicable.  
All products are manufactured in accordance with the ISO 9001 quality management system, IATF 16949 quality automotive, ISO 14001 environmental management systems and all Ex products with the IECEx scheme and ATEX directives, where applicable.

