

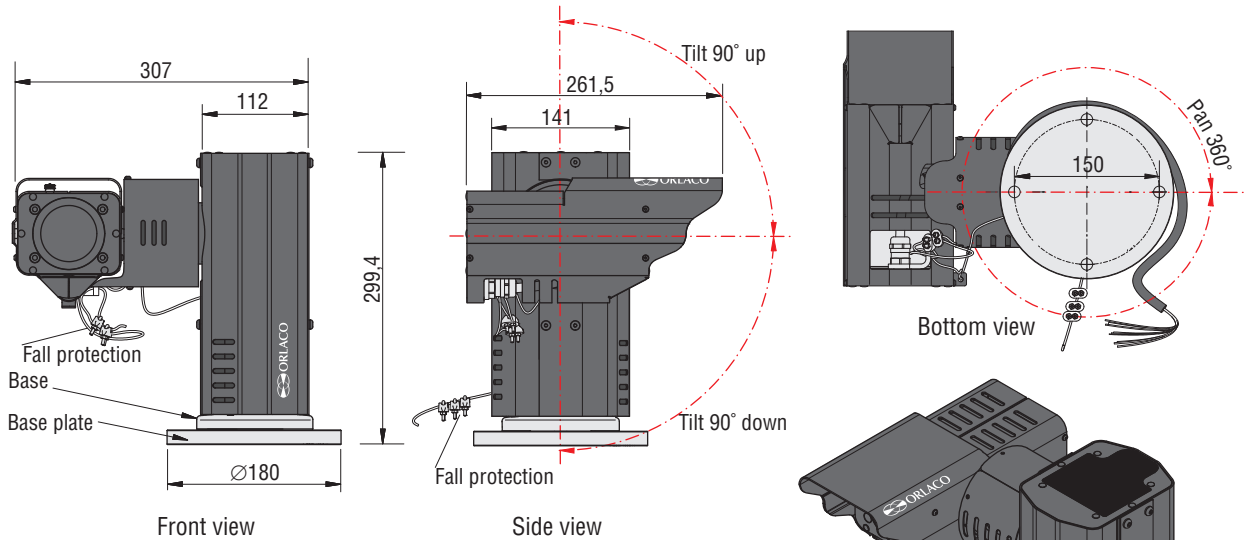
Vision is
our mission®

Camera PTZ Alu
Article no. 0506952
Camera PTZ Alu RS485
Article no. 0516951
2016 • DS0506952 R2-1

Product Data



Dimensions



Fall protection
Base
Base plate

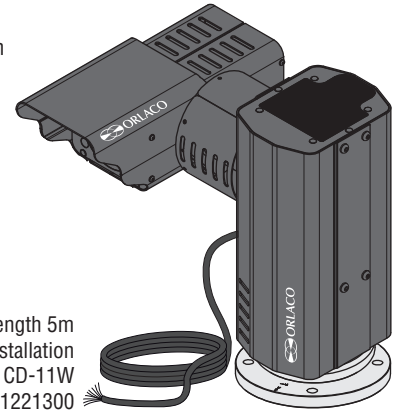
Front view

Side view

Bottom view

Units in mm

Cable length 5m
3,5m available for installation
Cable Base 9B-1CD-11W
Art. no. 1221300



TECHNICAL DATA

Camera PTZ Alu Camera PTZ Alu RS485

Article number	Description
Article number	0506952 Camera PTZ Alu - RS232
	0516951 Camera PTZ Alu - RS485

General

Pan Tilt unit including zoom camera. The PTZ unit functions via two industrial stepping motors. These stepping motors are controlled by the integrated micro-controller and input commands RS232 or RS485, Visca- Pelco-D protocol.

Zoom camera

CCD sensor	1/4" type EX view HAD CCD.
Picture elements	Approx. 440 000 effective pixels.
Resolution	550 TV lines (WIDE end).
Lens	F = 3,4 mm (WIDE) to 122,4 mm (TELE). 432x zoom ratio; 36x optical, 12x digital.
Lens speed	From wide optical to tele optical 4,0 sec. (F1,6 to F=4,5 zoom movement speed).
Angle of view (H)	48° (wide) 1,7° (tele).
Min. working distance	320 mm (WIDE end), 1500 mm (TELE end).
Min. illumination	1,4 Lux (1/50 sec. PAL Typical) 0,1 Lux (1/3 sec. PAL Typical).
S/N ratio	More than 50 dB.

Pan & Tilt

Pan angle	Total 360°, 180° left, 180° right.
Tilt angle	Total 180°, 90° up, 90° down from horizontal.
Backlash PTZ	1°.
Pan & Tilt speed	12,5°/sec.
Presets	128 presets Visca and 255 presets Pelco-D.
Controls	The PTZ camera can be controlled by means of the Monitor 7" RLED Serial; article no. 0208232 or the Monitor 12" Serial article no. 0207910.

General

Housing	Anodised aluminium housing corrosion proof according IEC 60068-2-52 salt mist, cyclic.
Weight	6,8 kg, including 5,5m. cable.
Cable	Length 5m, 3,5m available for installation, Cable Base 9B-1CD-11W, Art. no. 1221300.
Protection	IP 69K according IEC 60529, 1,4 Bar overpressure filled with dry nitrogen, long term stability 0,1%/year.
Operating temperature	-40°C to +85°C. Puls width modulated thermostatically heating integrated.
Power input	18...30V/DC or alternatively 100...240V/AC via SmartBoard.
Power consumption	Pan & Tilt; 24V. Heating on; 12W, heating off; 8,4W (Automatic heating).
Communication	Communication via serial interface; Visca-, Pelco-D protocol (RS232 or RS485) 9,6 Kbps, 8 bit, 1 stop bit, no parity.
Included	Steel cable fall protection.

Certification

Green Passport	All materials are compliant to Green Passport requirements according IMO resolution MEPC.197(62) as adopted on 15 July 2011 (Maritime sector:International Maritime Organization concerning the functions of the Marine Environment Protection Committee)
-----------------------	---

Electrical connections

Cable Base, Art no 1221300

	RS232	RS485		
1 = Coax core	Video	Video		
2 = Coax shielding	Video GND	Video GND		
3 = Red	Camera power	Camera power		
4 = Black	Camera 0V	Camera 0V		
5 = Red/White	Pan/Tilt power	Pan/Tilt power	1 = Red/blue	N.C.
6 = Black/White	Pan/Tilt 0V	Pan/Tilt 0V	2 = Black/blue	N.C.
7 = Green	Serial 1 RS-232 TX	B (inv)	3 = Blue	N.C.
8 = Grey	Serial 2 RS-232 RX	A (non-inv)	4 = Brown	N.C.
9 = Black/Gray	Serial 0V		5 = Shielding	N.C.

} **Cut off at wire entry**
(In Junction box)

Installation	See installation manual IM0973142
---------------------	-----------------------------------

All data subject to change without notice. All dimensions are for commercial purpose only.

The camera/display systems from Orlaco comply with the latest CE, ADR, EMC and mirror-directive regulations, where applicable.

All products are manufactured in accordance with the ISO 9001 quality management system, ISO/TS 16949 quality automotive, ISO 14001 environmental management systems and all Ex products with the IECEx scheme and ATEX directives, where applicable.

